



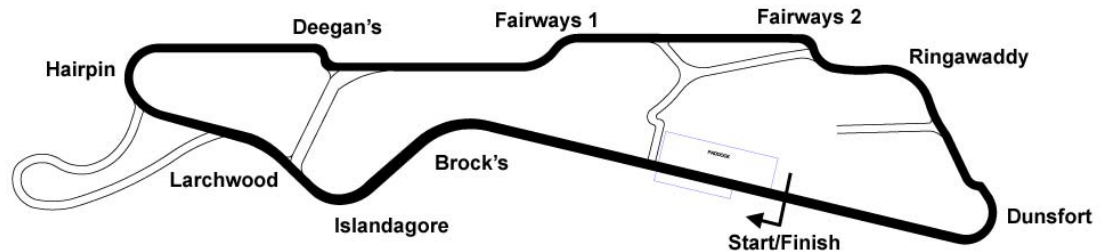
**Neil Robinson Memorial Races
at Bishopscourt
Saturday 20th & Sunday 21st July 2019**

**promoted by
Mid Antrim 150 Club
www.midantrim150.co.uk
<https://en-gb.facebook.com/midantrim150/>**

**JACK'S PLACE, BROUGHSHANE
PRE-INJECTION**



Bishops court National Circuit 1.824 miles



LAP RECORDS at the start of the meeting

Class	Rider	Machine	m	s	mph	Date
Young Guns Challenge	Aaron Clifford	Aprilia 125	1	22.864	79.243	20-07-13
Junior Cup	Jonny Campbell	Kawasaki 300	1	19.552	82.542	18-08-18
Supersport 300	Cameron Dawson	Kawasaki 400	1	19.075	83.040	30-03-19
125cc GP	Nigel Percy	Honda	1	13.913	88.840	21-10-07
Moto 3	Richard Kerr	KTM 250	1	13.640	89.169	22-10-16
250cc GP	Mark Hanna	Honda	1	11.963	91.247	16-10-10
TZ350	Gareth Keys	Yamaha	1	15.588	86.871	21-07-18
Lightweight Supersport	Gary McCoy	Yamaha 400	1	14.021	88.710	18-08-18
Production Twin	Eunan McGlinchey	Suzuki 650	1	12.117	91.052	20-08-17
SuperTwin	Eunan McGlinchey	Kawasaki 650	1	10.252	93.469	20-10-18
Pre-Injection	Steven Titterington	Yamaha 600	1	11.917	91.305	19-09-15
Supersport	Glenn Irwin	Kawasaki	1	07.474	97.317	25-10-14
Supersport Cup	Eunan McGlinchey	Suzuki	1	09.259	94.809	17-09-17
Superbike	Christian Iddon	BMW	1	05.223	100.676	22-10-16
Superbike Cup	Gary McCoy	Suzuki	1	09.123	94.996	22-10-18
Sidecar	Tim Reeves	LCR Kawasaki	1	10.032	93.763	25-10-14
	Lee Watson					
Classic 250cc	Brian Mateer	Suzuki	1	25.419	76.873	16-09-18
Classic 350cc	James Conroy	Honda	1	23.114	79.005	15-04-17
Classic 500cc	Alex Conroy	Honda	1	24.275	77.916	19-04-14
Classic 1000cc	Brian Rapple	Weslake 850	1	24.839	77.398	23-08-08

NEIL ROBINSON MEMORIAL RACES

AJ PLUMBING ULSTER SBK R6 - Bishopscourt

Sorted on best lap time

PRE-INJECTION

Bishopscourt National 1.824 miles

Qualifying

20/07/2019 10:45

Practice started at 11:00:07

Pos	Class	No.	Name	T	Machine	Sponsor	Best Tm	Diff	Gap	Best Speed	In Lap	Laps	2nd Best
1	PINJ	70	Derek O'DONNELL		Yamaha 600		1:16.457			85.884	2	6	1:17.239
2	PINJ	77	Kevin McGRATH		Yamaha 600	BTR	1:17.555	1.098	1.098	84.668	5	5	1:18.328
3	PINJ	9	Johnny IRWIN		Honda 600		1:18.768	2.311	1.213	83.364	3	4	1:18.941
4	PINJ	5	Mervyn GRIFFIN		Yamaha 600		1:18.864	2.407	0.096	83.262	5	5	1:18.870
5	PINJ	96	Simon OVEREND		Kawasaki 600	Team Screwloose Racing	1:19.144	2.687	0.280	82.968	4	5	1:19.715
6	PINJ	24	Trevor ELLIOTT		Yamaha 600		1:19.698	3.241	0.554	82.391	4	5	1:20.625
7	PINJ	88	Jonathan GREGORY		Yamaha 600		1:19.934	3.477	0.236	82.148	3	5	1:20.266
8	PINJ	98	Liam TRAINOR		Yamaha 600		1:20.463	4.006	0.529	81.608	5	5	1:24.477
9	PINJ	83	Graham McALEESE		Kawasaki 600		1:21.189	4.732	0.726	80.878	5	5	1:22.050
10	PINJ	105	Paul DEMAINE		Yamaha 600	Antrim Rain	1:21.454	4.997	0.265	80.615	4	5	1:22.789
11	PINJ	15	Kenneth O'GORMAN		Yamaha 600		1:21.612	5.155	0.158	80.459	4	5	1:21.832
12	PINJ	40	Jonathan WATT		Yamaha 600	Shark Racing	1:21.753	5.296	0.141	80.320	4	5	1:22.242
13	PINJ	100	Darren OVEREND		Kawasaki 600	Team Screwloose Racing	1:23.320	6.863	1.567	78.809	3	4	1:24.336
14	PINJ	41	Mark AIKEN		Honda 600	BTR	1:23.325	6.868	0.005	78.805	5	5	1:24.633
15	PINJ	68	Andrew McMASTER		Kawasaki 600	DMS	1:25.926	9.469	2.601	76.419	4	5	1:26.522
16	PINJ	43	Martin ENGALL		Yamaha 600		1:26.983	10.526	1.057	75.491	2	5	1:27.813
17	PINJ	89	Daryl ASTON		Honda 600	Kane Engineering	1:27.058	10.601	0.075	75.426	4	4	1:27.830
18	PINJ	116	Ryan DINEEN		Yamaha 600	Dineen Racing	1:27.650	11.193	0.592	74.916	4	5	1:29.203
19	PINJ	37	Colin IRWIN		Honda 600		1:30.078	13.621	2.428	72.897	5	5	1:31.258
20	PINJ	23	Stephen DAVEY		Kawasaki 600	DMS	1:32.300	15.843	2.222	71.142	4	4	1:34.304
21	PINJ	25	Nigel CORRIGAN		Yamaha 600		1:36.177	19.720	3.877	68.274	3	4	1:37.568
22	PINJ	58	Samantha SCOTT		Honda 600	McKillop Motorcycles	1:36.288	19.831	0.111	68.195	2	3	1:54.024
23	PINJ	169	Adam WATT		Kawasaki 600		1:39.669	23.212	3.381	65.882	3	3	1:43.258

Announcements

Weather: Bright / Track: Dry

Promoted by Mid-Antrim 150 Club

Orbits

Provisional result to be confirmed by the Stewards of the Meeting subject to the completion of technical inspections and the time limit for protests
MCUI (Ulster Centre) Timing @ www.elaps-timing.com



Printed: 20/07/2019 11:16:35

NEIL ROBINSON MEMORIAL RACES

AJ PLUMBING ULSTER SBK R6 - Bishopscourt

PRE-INJECTION

Bishopscourt National 1.824 miles

Qualifying

20/07/2019 10:45

Practice started at 11:00:07

(70) Derek O'DONNELL			(98) Liam TRAINOR			(68) Andrew McMASTER			3 1:54.024 +17.736		
1			1			1			(169) Adam WATT		
2	1:16.457		2	1:26.036	+5.573	2	1:29.068	+3.142	1		
3	1:18.371	+1.914	3	1:24.727	+4.264	3	1:26.522	+0.596	2	1:43.258	+3.589
4	1:17.239	+0.782	4	1:24.477	+4.014	4	1:25.926		3	1:39.669	
5	1:17.321	+0.864	5	1:20.463		5	1:28.985	+3.059			
6	1:19.182	+2.725				(43) Martin ENGALL					
(77) Kevin McGRATH			(83) Graham McALEESE			(89) Daryl ASTON					
1			1			1					
2	1:19.107	+1.552	2	1:24.652	+3.463	2	1:26.983				
3	1:18.328	+0.773	3	1:22.854	+1.665	3	1:27.813	+0.830			
4	1:18.616	+1.061	4	1:22.050	+0.861	4	1:28.123	+1.140			
5	1:17.555		5	1:21.189		5	1:29.740	+2.757			
(9) Johnny IRWIN			(105) Paul DEMAINE			(116) Ryan DINEEN					
1			1			1					
2	1:19.114	+0.346	2	1:24.857	+3.403	2	1:30.960	+3.902			
3	1:18.768		3	1:22.789	+1.335	3	1:27.830	+0.772			
4	1:18.941	+0.173	4	1:21.454		4	1:27.058				
(5) Mervyn GRIFFIN			(15) Kenneth O'GORMAN			(37) Colin IRWIN					
1			1			1					
2	1:26.561	+7.697	2	1:23.422	+1.810	2	1:30.095	+2.445			
3	1:20.265	+1.401	3	1:23.305	+1.693	3	1:29.203	+1.553			
4	1:18.870	+0.006	4	1:21.612		4	1:27.650				
5	1:18.864		5	1:21.832	+0.220	5	1:30.251	+2.601			
(96) Simon OVEREND			(40) Jonathan WATT			(23) Stephen DAVEY					
1			1			1					
2	1:19.715	+0.571	2	1:23.630	+1.877	2	1:32.510	+2.432			
3	1:20.993	+1.849	3	1:22.242	+0.489	3	1:32.081	+2.003			
4	1:19.144		4	1:21.753		4	1:31.258	+1.180			
5	1:19.760	+0.616	5	1:22.686	+0.933	5	1:30.078				
(24) Trevor ELLIOTT			(100) Darren OVEREND			(25) Nigel CORRIGAN					
1			1			1					
2	1:22.893	+3.195	2	1:24.722	+1.402	2	1:38.181	+5.881			
3	1:20.625	+0.927	3	1:23.320		3	1:34.304	+2.004			
4	1:19.698		4	1:24.336	+1.016	4	1:32.300				
5	1:21.939	+2.241				(88) Jonathan GREGORY					
(88) Jonathan GREGORY			(41) Mark AIKEN			(58) Samantha SCOTT					
1			1			1					
2	1:22.151	+2.217	2	1:26.774	+3.449	2	1:37.695	+1.518			
3	1:19.934		3	1:28.134	+4.809	3	1:36.177				
4	1:20.344	+0.410	4	1:24.633	+1.308	4	1:37.568	+1.391			
5	1:20.266	+0.332	5	1:23.325		5	1:36.288				

Promoted by Mid-Antrim 150 Club

Provisional result to be confirmed by the Stewards of the Meeting subject to the completion of technical inspections and the time limit for protests
MCUI (Ulster Centre) Timing @ www.elaps-timing.com

Printed: 20/07/2019 11:18:06

R. Agnew



Orbits

NEIL ROBINSON MEMORIAL RACES

AJ PLUMBING ULSTER SBK R6 - Bishopscourt

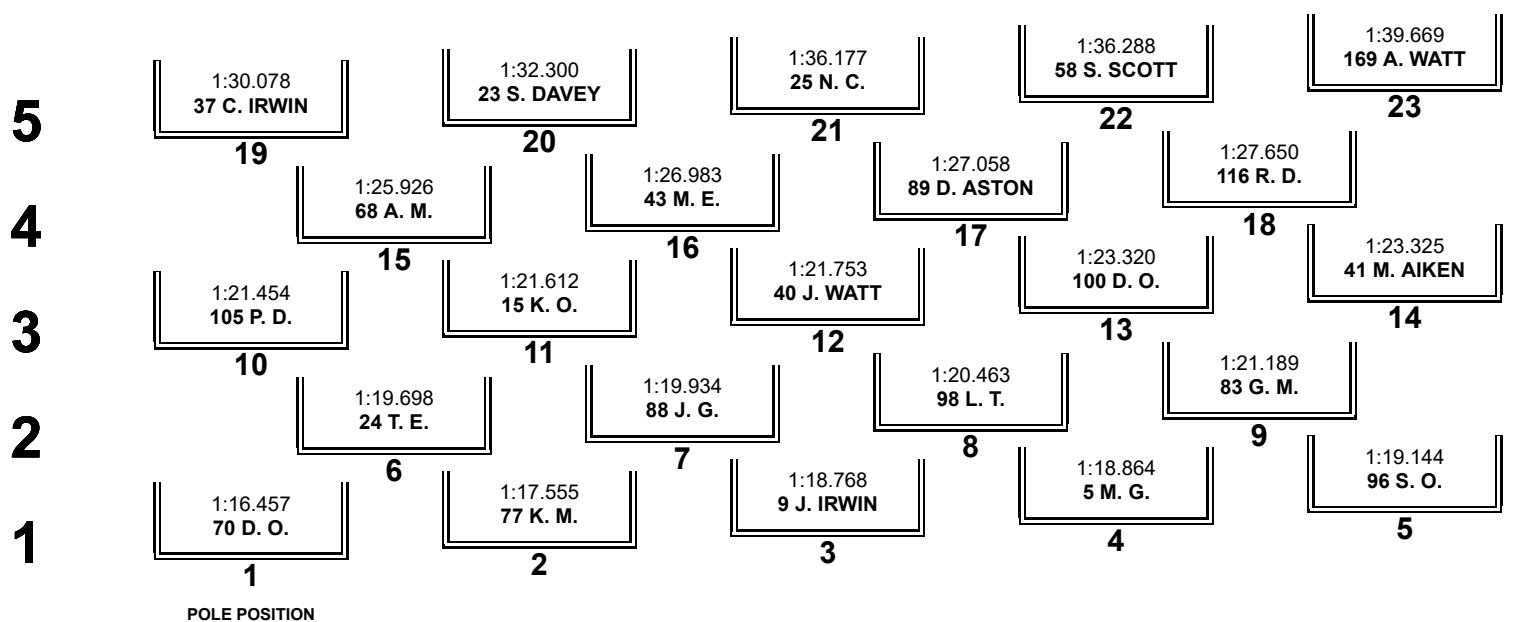
PRE-INJECTION

Bishopscourt National 1.824 miles

R6: Jack's Place Broughshane Race One

20/07/2019 14:45

Race (7 Laps)



Promoted by Mid-Antrim 150 Club

Orbits

Provisional result to be confirmed by the Stewards of the Meeting subject to the completion of technical inspections and the time limit for protests
MCUI (Ulster Centre) Timing @ www.elaps-timing.com



NEIL ROBINSON MEMORIAL RACES

AJ PLUMBING ULSTER SBK R6 - Bishopscourt

Sorted on Laps

PRE-INJECTION

Bishopscourt National 1.824 miles

R6: Jack's Place Broughshane Race One

20/07/2019 14:45

Race (7 Laps) started at 15:01:58

Pos	Class	No.	Name	T	Machine	Sponsor	Laps	Total Tm	Diff	Gap	Avg. Speed	Best Tm	Best Speed	In Lap
1	PINJ	9	Johnny IRWIN		Honda 600		7	8:46.792			87.254	1:13.894	88.862	7
2	PINJ	70	Derek O'DONNELL		Yamaha 600		7	8:47.504	0.712	0.712	87.136	1:13.433	89.420	4
3	PINJ	5	Mervyn GRIFFIN		Yamaha 600		7	8:55.098	8.306	7.594	85.900	1:14.580	88.045	5
4	PINJ	24	Trevor ELLIOTT		Yamaha 600		7	9:11.874	25.082	16.776	83.289	1:17.005	85.272	4
5	PINJ	77	Kevin McGRATH		Yamaha 600	BTR	7	9:12.201	25.409	0.327	83.239	1:16.028	86.368	3
6	PINJ	88	Jonathan GREGORY		Yamaha 600		7	9:13.445	26.653	1.244	83.052	1:17.281	84.968	4
7	PINJ	40	Jonathan WATT		Yamaha 600	Shark Racing	7	9:20.293	33.501	6.848	82.037	1:18.142	84.032	4
8	PINJ	105	Paul DEMAINE		Yamaha 600	Antrim Rain	7	9:24.602	37.810	4.309	81.411	1:18.668	83.470	7
9	PINJ	41	Mark AIKEN		Honda 600	BTR	7	9:28.828	42.036	4.226	80.806	1:19.367	82.735	7
10	PINJ	96	Simon OVEREND		Kawasaki 600	Team Screwloose Racing	7	9:33.728	46.936	4.900	80.116	1:16.070	86.320	2
11	PINJ	15	Kenneth O'GORMAN		Yamaha 600		7	9:33.921	47.129	0.193	80.089	1:19.299	82.806	7
12	PINJ	68	Andrew McMASTER		Kawasaki 600	DMS	7	9:52.756	1:05.964	18.835	77.544	1:22.135	79.946	7
13	PINJ	116	Ryan DINEEN		Yamaha 600	Dineen Racing	6	8:52.654	1 Lap	1 Lap	73.966	1:25.749	76.577	6
14	PINJ	23	Stephen DAVEY		Kawasaki 600	DMS	6	9:07.597	1 Lap	14.943	71.948	1:29.295	73.536	6
15	PINJ	58	Samantha SCOTT		Honda 600	McKillop Motorcycles	6	9:12.418	1 Lap	4.821	71.320	1:28.276	74.385	6
16	PINJ	37	Colin IRWIN		Honda 600		6	9:15.201	1 Lap	2.783	70.962	1:30.504	72.554	5
17	PINJ	169	Adam WATT		Kawasaki 600		6	9:22.833	1 Lap	7.632	70.000	1:30.984	72.171	4
18	PINJ	25	Nigel CORRIGAN		Yamaha 600		6	9:24.619	1 Lap	1.786	69.779	1:30.368	72.663	5
Not classified														
DNF	PINJ	83	Graham McALEESE		Kawasaki 600		4	6:04.174	DNF		72.124	1:19.997	82.083	3
DNF	PINJ	89	Daryl ASTON		Honda 600	Kane Engineering	4	6:24.623	DNF		68.289	1:25.053	77.204	2
DNF	PINJ	43	Martin ENGALL		Yamaha 600		1	1:34.477	DNF		69.503	1:34.477	69.503	1
DNS	PINJ	98	Liam TRAINOR		Yamaha 600			0.000	DNS		-	-	-	0
DNS	PINJ	100	Darren OVEREND		Kawasaki 600	Team Screwloose Racing		0.000	DNS		-	-	-	0

Announcements

PINJ 90% = 78.529

Weather: Bright / Track: Dry

Margin of Victory	Avg. Speed	Best Lap Tm	Best Speed	Best Lap by
0.712	87.254	1:13.433	89.420	70 - Derek O'DONNELL

Promoted by Mid-Antrim 150 Club

Orbits

Provisional result to be confirmed by the Stewards of the Meeting subject to the completion of technical inspections and the time limit for protests

MCUI (Ulster Centre) Timing @ www.elaps-timing.com

Printed: 20/07/2019 15:12:57



NEIL ROBINSON MEMORIAL RACES

AJ PLUMBING ULSTER SBK R6 - Bishopscourt

PRE-INJECTION

Bishopscourt National 1.824 miles

R6: Jack's Place Broughshane Race One

20/07/2019 14:45

Race (7 Laps) started at 15:01:58

(9) Johnny IRWIN			3	1:18.362	+1.081	7	1:19.299	6	1:32.924	+1.940	
1	1:19.792	+5.898	4	1:17.281		(68) Andrew McMASTER			(25) Nigel CORRIGAN		
2	1:14.705	+0.811	5	1:18.018	+0.737	1	1:33.136	+11.001	1	1:42.058	+11.690
3	1:14.725	+0.831	6	1:17.964	+0.683	2	1:23.692	+1.557	2	1:34.700	+4.332
4	1:14.265	+0.371	7	1:18.170	+0.889	3	1:23.793	+1.658	3	1:32.952	+2.584
5	1:14.854	+0.960	(40) Jonathan WATT			4	1:24.110	+1.975	4	1:31.980	+1.612
6	1:14.557	+0.663	1	1:25.876	+7.734	5	1:23.561	+1.426	5	1:30.368	
7	1:13.894		2	1:19.516	+1.374	6	1:22.329	+0.194	6	1:32.561	+2.193
(70) Derek O'DONNELL			3	1:19.179	+1.037	7	1:22.135		(83) Graham McALEESE		
1	1:21.641	+8.208	4	1:18.142		(116) Ryan DINEEN			1	1:24.821	+4.824
2	1:14.705	+1.272	5	1:18.611	+0.469	1	1:38.106	+12.357	2	1:20.215	+0.218
3	1:13.837	+0.404	6	1:19.623	+1.481	2	1:27.962	+2.213	3	1:19.997	
4	1:13.433		7	1:19.346	+1.204	3	1:26.118	+0.369	4	1:59.141	+39.144
5	1:14.959	+1.526	(105) Paul DEMAINE			4	1:27.731	+1.982	(89) Daryl ASTON		
6	1:14.435	+1.002	1	1:27.271	+8.603	5	1:26.988	+1.239	1	1:33.119	+8.066
7	1:14.494	+1.061	2	1:20.020	+1.352	6	1:25.749		2	1:25.053	
(5) Mervyn GRIFFIN			3	1:20.397	+1.729	(23) Stephen DAVEY			3	1:26.768	+1.715
1	1:22.418	+7.838	4	1:20.297	+1.629	1	1:37.971	+8.676	4	1:59.683	+34.630
2	1:15.367	+0.787	5	1:19.183	+0.515	2	1:31.418	+2.123	(43) Martin ENGALL		
3	1:14.873	+0.293	6	1:18.766	+0.098	3	1:29.735	+0.440	1	1:34.477	
4	1:14.685	+0.105	7	1:18.668		4	1:29.635	+0.340	(58) Samantha SCOTT		
5	1:14.580		(41) Mark AIKEN			5	1:29.543	+0.248	1	1:41.914	+13.638
6	1:17.162	+2.582	1	1:27.984	+8.617	6	1:29.295		2	1:32.061	+3.785
7	1:16.013	+1.433	2	1:20.657	+1.290	(37) Colin IRWIN			3	1:32.098	+3.822
(24) Trevor ELLIOTT			3	1:20.530	+1.163	1	1:37.485	+6.981	4	1:28.633	+0.357
1	1:25.890	+8.885	4	1:21.175	+1.808	2	1:32.061	+3.785	5	1:29.436	+1.160
2	1:18.468	+1.463	5	1:19.722	+0.355	3	1:32.098	+3.822	6	1:28.276	
3	1:18.385	+1.380	6	1:19.393	+0.026	4	1:28.633	+0.357	(96) Simon OVEREND		
4	1:17.005		7	1:19.367		5	1:29.543	+0.248	1	1:22.822	+6.752
5	1:17.648	+0.643	(77) Kevin McGRATH			2	1:16.070		2	1:16.070	
6	1:17.236	+0.231	1	1:21.354	+5.326	3	1:29.110	+13.040	3	1:29.110	+13.040
7	1:17.242	+0.237	2	1:16.110	+0.082	4	1:22.432	+6.362	4	1:22.432	+6.362
(24) Trevor ELLIOTT			3	1:16.028		5	1:21.815	+5.745	5	1:21.815	+5.745
1	1:25.890	+8.885	4	1:17.005		6	1:21.304	+5.234	6	1:21.304	+5.234
2	1:18.468	+1.463	5	1:17.648	+0.643	7	1:20.175	+4.105	7	1:20.175	+4.105
3	1:18.385	+1.380	6	1:17.236	+0.231	(15) Kenneth O'GORMAN			1	1:28.560	+9.261
4	1:17.005		7	1:17.242	+0.237	1	1:28.560	+9.261	2	1:20.682	+1.383
5	1:17.648	+0.643	(77) Kevin McGRATH			3	1:20.682	+1.383	3	1:20.847	+1.548
6	1:17.236	+0.231	1	1:21.354	+5.326	4	1:20.847	+1.548	4	1:23.709	+4.410
7	1:17.242	+0.237	2	1:16.110	+0.082	5	1:23.709	+4.410	5	1:20.540	+1.241
(77) Kevin McGRATH			3	1:16.028		6	1:20.540	+1.241	6	1:20.284	+0.985
1	1:21.354	+5.326	4	1:16.170	+0.142	(169) Adam WATT			1	1:43.018	+12.034
2	1:16.110	+0.082	5	1:27.216	+11.188	1	1:43.018	+12.034	2	1:32.457	+1.473
3	1:16.028		6	1:17.488	+1.460	2	1:32.457	+1.473	3	1:31.427	+0.443
4	1:16.170	+0.142	7	1:17.835	+1.807	3	1:31.427	+0.443	4	1:30.984	
5	1:27.216	+11.188	(88) Jonathan GREGORY			4	1:30.984		5	1:32.023	+1.039
6	1:17.488	+1.460	1	1:25.281	+8.000	5	1:32.023	+1.039			
7	1:17.835	+1.807	2	1:18.369	+1.088						

Promoted by Mid-Antrim 150 Club

Provisional result to be confirmed by the Stewards of the Meeting subject to the completion of technical inspections and the time limit for protests
MCUI (Ulster Centre) Timing @ www.elaps-timing.com

Printed: 20/07/2019 15:13:21

Orbits



NEIL ROBINSON MEMORIAL RACES

AJ PLUMBING ULSTER SBK R6 - Bishopscourt

Sorted on Laps

PRE-INJECTION

Bishopscourt National 1.824 miles

R13: Jack's Place Brioughshane Race Two

20/07/2019 16:30

Race (7 Laps) started at 16:37:26

Pos	Class	No.	Name	T	Machine	Sponsor	Laps	Total Tm	Diff	Gap	Avg. Speed	Best Tm	Best Speed	In Lap
1	PINJ	70	Derek O'DONNELL		Yamaha 600		7	8:51.317			86.511	1:13.722	89.070	4
2	PINJ	5	Mervyn GRIFFIN		Yamaha 600		7	8:56.851	5.534	5.534	85.619	1:14.774	87.817	5
3	PINJ	77	Kevin McGRATH		Yamaha 600	BTR	7	9:04.647	13.330	7.796	84.394	1:16.068	86.323	6
4	PINJ	24	Trevor ELLIOTT		Yamaha 600		7	9:06.894	15.577	2.247	84.047	1:16.941	85.343	2
5	PINJ	88	Jonathan GREGORY		Yamaha 600		7	9:10.915	19.598	4.021	83.434	1:16.731	85.577	5
6	PINJ	40	Jonathan WATT		Yamaha 600	Shark Racing	7	9:15.538	24.221	4.623	82.739	1:17.884	84.310	6
7	PINJ	41	Mark AIKEN		Honda 600	BTR	7	9:15.688	24.371	0.150	82.717	1:17.145	85.118	7
8	PINJ	105	Paul DEMAINE		Yamaha 600	Antrim Rain	7	9:16.018	24.701	0.330	82.668	1:17.783	84.419	7
9	PINJ	100	Simon OVEREND		Kawasaki 600	Team Screwloose Racing	7	9:17.920	26.603	1.902	82.386	1:15.812	86.614	7
10	PINJ	83	Graham McALEESE		Kawasaki 600		7	9:21.166	29.849	3.246	81.909	1:18.957	83.164	5
11	PINJ	15	Kenneth O'GORMAN		Yamaha 600		7	9:30.871	39.554	9.705	80.517	1:19.442	82.657	3
12	PINJ	116	Ryan DINEEN		Yamaha 600	Dineen Racing	7	10:13.330	1:22.013	42.459	74.943	1:25.344	76.940	6
13	PINJ	89	Daryl ASTON		Honda 600	Kane Engineering	6	8:57.113	1 Lap	1 Lap	73.352	1:25.725	76.598	4
14	PINJ	58	Samantha SCOTT		Honda 600	McKillop Motorcycles	6	9:07.013	1 Lap	9.900	72.025	1:28.650	74.071	2
15	PINJ	169	Adam WATT		Kawasaki 600		6	9:08.041	1 Lap	1.028	71.890	1:27.244	75.265	6
16	PINJ	23	Stephen DAVEY		Kawasaki 600	DMS	6	9:08.721	1 Lap	0.680	71.800	1:28.326	74.343	6
17	PINJ	37	Colin IRWIN		Honda 600		6	9:10.294	1 Lap	1.573	71.595	1:30.104	72.876	6
18	PINJ	25	Nigel CORRIGAN		Yamaha 600		6	9:11.483	1 Lap	1.189	71.441	1:29.351	73.490	4
Not classified														
DNF	PINJ	68	Andrew McMASTER		Kawasaki 600	DMS	6	8:18.746	DNF		78.995	1:21.551	80.519	6
DNS	PINJ	9	Johnny IRWIN		Honda 600			0.000	DNS		-	-	-	0
DNS	PINJ	98	Liam TRAINOR		Yamaha 600			0.000	DNS		-	-	-	0
DNS	PINJ	.00.	Darren OVEREND		Kawasaki 600	Team Screwloose Racing		0.000	DNS		-	-	-	0
DNS	PINJ	43	Martin ENGALL		Yamaha 600			0.000	DNS		-	-	-	0

Announcements

PINJ 90% = 77.860
Weather: Cloudy / Track: Dry

Margin of Victory	Avg. Speed	Best Lap Tm	Best Speed	Best Lap by
5.534	86.511	1:13.722	89.070	70 - Derek O'DONNELL

Promoted by Mid-Antrim 150 Club

Orbits

Provisional result to be confirmed by the Stewards of the Meeting subject to the completion of technical inspections and the time limit for protests
MCUI (Ulster Centre) Timing @ www.elaps-timing.com



NEIL ROBINSON MEMORIAL RACES

AJ PLUMBING ULSTER SBK R6 - Bishopscourt

PRE-INJECTION

Bishopscourt National 1.824 miles

R13: Jack's Place Brioughshane Race Two

20/07/2019 16:30

Race (7 Laps) started at 16:37:26

Driver	Pos	Time	Diff	Driver	Pos	Time	Diff	Driver	Pos	Time	Diff		
(70) Derek O'DONNELL	3	1:18.303	+0.419	7	1:22.327	+2.885		6	1:30.104				
1	1:22.788	+9.066		4	1:17.991	+0.107							
2	1:14.581	+0.859		5	1:17.919	+0.035	(116) Ryan DINEEN	1	1:36.941	+11.597	(25) Nigel CORRIGAN		
3	1:14.247	+0.525		6	1:17.884		2	1:26.278	+0.934	2	1:30.959	+1.608	
4	1:13.722			7	1:18.008	+0.124	3	1:25.618	+0.274	3	1:30.113	+0.762	
5	1:13.984	+0.262					4	1:27.424	+2.080	4	1:29.351		
6	1:17.441	+3.719		(41) Mark AIKEN	1	1:26.854	+9.709	5	1:25.907	+0.563	5	1:31.007	+1.656
7	1:14.554	+0.832		2	1:19.303	+2.158	6	1:25.344		6	1:29.486	+0.135	
				3	1:18.629	+1.484	7	1:25.818	+0.474				
(5) Mervyn GRIFFIN	4	1:18.891	+1.746							(68) Andrew McMASTER	1	1:29.168	+7.617
1	1:22.478	+7.704		5	1:17.639	+0.494	(89) Daryl ASTON	1	1:43.705	+17.980	2	1:21.873	+0.322
2	1:14.837	+0.063		6	1:17.227	+0.082	2	1:27.919	+2.194	3	1:22.408	+0.857	
3	1:15.748	+0.974		7	1:17.145		3	1:26.867	+1.142	4	1:22.174	+0.623	
4	1:15.676	+0.902					4	1:25.725		5	1:21.572	+0.021	
5	1:14.774			(105) Paul DEMAINE	1	1:26.121	+8.338	5	1:27.013	+1.288	6	1:21.551	
6	1:16.601	+1.827		2	1:18.984	+1.201	6	1:25.884	+0.159				
7	1:16.737	+1.963		3	1:18.279	+0.496							
(77) Kevin McGRATH	4	1:18.523	+0.740	4	1:18.891	+1.746	(58) Samantha SCOTT	1	1:39.841	+11.191			
1	1:23.341	+7.273		5	1:17.639	+0.494	2	1:28.650					
2	1:16.227	+0.159		6	1:17.227	+0.082	3	1:29.757	+1.107				
3	1:17.104	+1.036		7	1:17.783		4	1:29.778	+1.128				
4	1:16.452	+0.384					5	1:29.783	+1.133				
5	1:16.589	+0.521		(100) Simon OVEREND	1	1:32.726	+16.914	6	1:29.204	+0.554			
6	1:16.068			2	1:18.711	+2.899				(169) Adam WATT	1	1:42.441	+15.197
7	1:18.866	+2.798		3	1:18.993	+3.181				2	1:30.709	+3.465	
(24) Trevor ELLIOTT	4	1:17.649	+1.837	4	1:18.523	+0.740				3	1:30.516	+3.272	
1	1:22.219	+5.278		5	1:18.093	+0.310				4	1:28.574	+1.330	
2	1:16.941			6	1:18.235	+0.452				5	1:28.783	+1.333	
3	1:17.216	+0.275		7	1:17.783					6	1:29.204	+0.554	
4	1:17.414	+0.473					(58) Samantha SCOTT	1	1:39.841	+11.191			
5	1:17.040	+0.099		(83) Graham McALEESE	1	1:25.241	+6.284	2	1:28.650				
6	1:17.332	+0.391		2	1:19.706	+0.749		3	1:29.757	+1.107			
7	1:18.732	+1.791		3	1:19.283	+0.326		4	1:29.778	+1.128			
(88) Jonathan GREGORY	4	1:19.053	+0.096	4	1:18.523	+0.740		5	1:29.783	+1.133			
1	1:25.643	+8.912		5	1:17.639	+0.494		6	1:29.204	+0.554			
2	1:17.582	+0.851		6	1:17.227	+0.082				(23) Stephen DAVEY	1	1:39.464	+11.138
3	1:17.134	+0.403		7	1:17.783					2	1:31.660	+3.334	
4	1:17.243	+0.512								3	1:29.959	+1.633	
5	1:16.731			(15) Kenneth O'GORMAN	1	1:27.703	+8.261				4	1:29.224	+0.898
6	1:16.774	+0.043		2	1:19.706	+0.749					5	1:30.088	+1.762
7	1:19.808	+3.077		3	1:19.283	+0.326					6	1:28.326	
(40) Jonathan WATT	4	1:20.649	+1.207	4	1:18.093	+0.310				(37) Colin IRWIN	1	1:37.054	+6.950
1	1:25.340	+7.456		5	1:18.235	+0.452				2	1:31.067	+0.963	
2	1:20.093	+2.209		6	1:17.783					3	1:31.390	+1.286	
										4	1:30.526	+0.422	
										5	1:30.153	+0.049	

Promoted by Mid-Antrim 150 Club Orbits

Provisional result to be confirmed by the Stewards of the Meeting subject to the completion of technical inspections and the time limit for protests
MCUI (Ulster Centre) Timing @ www.elaps-timing.com



NEIL ROBINSON MEMORIAL RACES

AJ PLUMBING ULSTER SBK R6 - Bishopscourt

Sorted on Laps

PRE-INJECTION

Bishopscourt National 1.824 miles

R10: Jack's Place Broughshane Race Three

21/07/2019 14:00

Race (10 Laps) started at 14:35:16

Pos	Class	No.	Name	T	Machine	Sponsor	Laps	Total Tm	Diff	Gap	Avg. Speed	Best Tm	Best Speed	In Lap
1	PINJ	70	Derek O'DONNELL		Yamaha 600		10	12:50.597			85.212	1:15.018	87.531	10
2	PINJ	9	Johnny IRWIN		Honda 600		10	12:50.998	0.401	0.401	85.168	1:14.453	88.195	9
3	PINJ	77	Kevin McGRATH		Yamaha 600	BTR	10	13:03.992	13.395	12.994	83.756	1:16.044	86.350	8
4	PINJ	5	Mervyn GRIFFIN		Yamaha 600		10	13:08.423	17.826	4.431	83.285	1:16.346	86.008	8
5	PINJ	88	Jonathan GREGORY		Yamaha 600		10	13:17.847	27.250	9.424	82.301	1:17.644	84.571	5
6	PINJ	83	Graham McALEESE		Kawasaki 600		10	13:20.783	30.186	2.936	82.000	1:17.370	84.870	5
7	PINJ	100	Simon OVEREND		Kawasaki 600	Team Screwloose Racing	10	13:30.540	39.943	9.757	81.013	1:18.391	83.765	10
8	PINJ	105	Paul DEMAINE		Yamaha 600	Antrim Rain	10	13:31.234	40.637	0.694	80.943	1:19.334	82.769	10
9	PINJ	40	Jonathan WATT		Yamaha 600	Shark Racing	10	13:31.502	40.905	0.268	80.917	1:18.715	83.420	10
10	PINJ	41	Mark AIKEN		Honda 600	BTR	10	13:40.511	49.914	9.009	80.028	1:19.830	82.255	9
11	PINJ	24	Trevor ELLIOTT		Yamaha 600		10	13:41.166	50.569	0.655	79.964	1:19.953	82.128	2
12	PINJ	98	Liam TRAINOR		Yamaha 600		10	14:03.206	1:12.609	22.040	77.874	1:22.221	79.863	9
13	PINJ	116	Ryan DINEEN		Yamaha 600	Dineen Racing	9	13:19.579	1 Lap	1 Lap	73.911	1:26.590	75.833	7
14	PINJ	169	Adam WATT		Kawasaki 600		9	13:43.860	1 Lap	24.281	71.733	1:28.846	73.908	7
15	PINJ	25	Nigel CORRIGAN		Yamaha 600		9	13:48.030	1 Lap	4.170	71.371	1:28.854	73.901	9
16	PINJ	58	Samantha SCOTT		Honda 600	McKillop Motorcycles	9	14:06.509	1 Lap	18.479	69.813	1:31.775	71.549	5
17	PINJ	37	Colin IRWIN		Honda 600		9	14:06.780	1 Lap	0.271	69.791	1:32.124	71.278	7
Not classified														
DNF	PINJ	89	Daryl ASTON		Honda 600	Kane Engineering	3	5:04.973	DNF		64.593	1:29.767	73.149	2
DNS	PINJ	15	Kenneth O'GORMAN		Yamaha 600			0.000	DNS		-	-	-	0
DNS	PINJ	.00.	Darren OVEREND		Kawasaki 600	Team Screwloose Racing		0.000	DNS		-	-	-	0
DNS	PINJ	68	Andrew McMASTER		Kawasaki 600	DMS		0.000	DNS		-	-	-	0
DNS	PINJ	43	Martin ENGALL		Yamaha 600			0.000	DNS		-	-	-	0
DNS	PINJ	23	Stephen DAVEY		Kawasaki 600	DMS		0.000	DNS		-	-	-	0

Announcements

PINJ 90% = 76.691
Weather: Cloudy / Track: Dry

Margin of Victory	Avg. Speed	Best Lap Tm	Best Speed	Best Lap by
0.401	85.212	1:14.453	88.195	9 - Johnny IRWIN

Promoted by Mid-Antrim 150 Club

Orbits

Provisional result to be confirmed by the Stewards of the Meeting subject to the completion of technical inspections and the time limit for protests
MCUI (Ulster Centre) Timing @ www.elaps-timing.com



Printed: 21/07/2019 14:50:15

NEIL ROBINSON MEMORIAL RACES

AJ PLUMBING ULSTER SBK R6 - Bishopscourt

PRE-INJECTION

Bishopscourt National 1.824 miles

R10: Jack's Place Broughshane Race Three

21/07/2019 14:00

Race (10 Laps) started at 14:35:16

Driver	Lap	Time	Diff	Lap	Time	Diff	Lap	Time	Diff
(70) Derek O'DONNELL	1	1:26.680	+11.662	1	1:28.020	+10.376	2	1:27.498	+0.908
	2	1:16.790	+1.772	2	1:18.723	+1.079	3	1:27.139	+0.549
	3	1:16.453	+1.435	3	1:17.859	+0.215	4	1:28.164	+1.574
	4	1:15.939	+0.921	4	1:17.906	+0.262	5	1:28.643	+2.053
	5	1:15.856	+0.838	5	1:17.644		6	1:27.484	+0.894
	6	1:16.976	+1.958	6	1:17.973	+0.329	7	1:26.590	
	7	1:15.826	+0.808	7	1:20.992	+3.348	8	1:27.293	+0.703
	8	1:15.550	+0.532	8	1:19.732	+2.088	9	1:27.948	+1.358
	9	1:15.509	+0.491	9	1:19.622	+1.978	10		
	10	1:15.018		10	1:19.376	+1.732			
(9) Johnny IRWIN	1	1:26.657	+12.204	1	1:29.054	+11.684	1	1:42.266	+13.420
	2	1:19.199	+4.746	2	1:19.793	+2.423	2	1:32.029	+3.183
	3	1:17.377	+2.924	3	1:19.191	+1.821	3	1:30.053	+1.207
	4	1:16.355	+1.902	4	1:18.054	+0.684	4	1:29.462	+0.616
	5	1:15.871	+1.418	5	1:17.370		5	1:29.806	+0.960
	6	1:15.455	+1.002	6	1:17.865	+0.495	6	1:30.097	+1.251
	7	1:15.812	+1.359	7	1:19.891	+2.521	7	1:28.846	
	8	1:14.868	+0.415	8	1:19.363	+1.993	8	1:29.982	+1.136
	9	1:14.453		9	1:18.782	+1.412	9	1:31.319	+2.473
	10	1:14.951	+0.498	10	1:21.420	+4.050			
(88) Jonathan GREGORY	1	1:28.020	+10.376	1	1:33.366	+13.536	1	1:19.830	+1.136
	2	1:18.723	+1.079	2	1:23.064	+3.234	2	1:21.720	+1.890
	3	1:17.859	+0.215	3	1:21.076	+1.246	3	1:21.720	+1.890
	4	1:17.906	+0.262	4	1:20.454	+0.624	4	1:21.720	+1.890
	5	1:17.644		5	1:19.996	+0.166	5	1:21.720	+1.890
	6	1:17.973	+0.329	6	1:20.298	+0.468	6	1:21.720	+1.890
	7	1:20.992	+3.348	7	1:19.922	+0.092	7	1:21.720	+1.890
	8	1:19.732	+2.088	8	1:20.785	+0.955	8	1:21.720	+1.890
	9	1:19.622	+1.978	9	1:19.830		9	1:21.720	+1.890
	10	1:19.376	+1.732	10	1:19.830		10	1:21.720	+1.890
(83) Graham McALEESE	1	1:29.054	+11.684	1	1:28.672	+8.719	1	1:22.666	+2.713
	2	1:19.793	+2.423	2	1:19.953		2	1:22.720	+2.767
	3	1:19.191	+1.821	3	1:20.794	+0.841	3	1:22.720	+2.767
	4	1:18.054	+0.684	4	1:21.048	+1.095	4	1:22.720	+2.767
	5	1:17.370		5	1:21.366	+1.413	5	1:22.720	+2.767
	6	1:17.865	+0.495	6	1:21.540	+1.587	6	1:22.720	+2.767
	7	1:19.891	+2.521	7	1:21.540	+1.587	7	1:22.720	+2.767
	8	1:19.363	+1.993	8	1:20.520	+0.567	8	1:22.720	+2.767
	9	1:18.782	+1.412	9	1:21.887	+1.934	9	1:22.720	+2.767
	10	1:21.420	+4.050	10	1:21.887	+1.934	10	1:22.720	+2.767
(41) Mark AIKEN	1	1:33.366	+13.536	1	1:32.606	+10.385	1	1:32.110	+0.889
	2	1:23.064	+3.234	2	1:23.451	+1.230	2	1:22.221	
	3	1:21.076	+1.246	3	1:23.412	+1.191	3	1:23.544	+1.323
	4	1:20.454	+0.624	4	1:23.813	+1.592	4	1:23.544	+1.323
	5	1:19.996	+0.166	5	1:24.147	+1.926	5	1:23.544	+1.323
	6	1:20.298	+0.468	6	1:23.802	+1.581	6	1:23.544	+1.323
	7	1:19.922	+0.092	7	1:23.100	+0.879	7	1:23.544	+1.323
	8	1:20.785	+0.955	8	1:23.110	+0.889	8	1:23.544	+1.323
	9	1:19.830		9	1:22.221		9	1:23.544	+1.323
	10	1:19.830		10	1:23.544	+1.323	10	1:23.544	+1.323
(169) Adam WATT	1	1:42.266	+13.420	1	1:38.820	+12.230	1	1:33.575	+1.451
	2	1:32.029	+3.183	2	1:38.820	+12.230	2	1:33.575	+1.451
	3	1:30.053	+1.207	3	1:38.820	+12.230	3	1:33.575	+1.451
	4	1:29.462	+0.616	4	1:38.820	+12.230	4	1:33.575	+1.451
	5	1:29.806	+0.960	5	1:38.820	+12.230	5	1:33.575	+1.451
	6	1:30.097	+1.251	6	1:38.820	+12.230	6	1:33.575	+1.451
	7	1:28.846		7	1:38.820	+12.230	7	1:33.575	+1.451
	8	1:29.982	+1.136	8	1:38.820	+12.230	8	1:33.575	+1.451
	9	1:31.319	+2.473	9	1:38.820	+12.230	9	1:33.575	+1.451
	10			10	1:38.820	+12.230	10	1:33.575	+1.451
(25) Nigel CORRIGAN	1	1:41.965	+13.111	1	1:38.820	+12.230	1	1:33.575	+1.451
	2	1:33.090	+4.236	2	1:38.820	+12.230	2	1:33.575	+1.451
	3	1:31.898	+3.044	3	1:38.820	+12.230	3	1:33.575	+1.451
	4	1:31.844	+2.990	4	1:38.820	+12.230	4	1:33.575	+1.451
	5	1:30.362	+1.508	5	1:38.820	+12.230	5	1:33.575	+1.451
	6	1:29.851	+0.997	6	1:38.820	+12.230	6	1:33.575	+1.451
	7	1:29.868	+1.014	7	1:38.820	+12.230	7	1:33.575	+1.451
	8	1:30.298	+1.444	8	1:38.820	+12.230	8	1:33.575	+1.451
	9	1:28.854		9	1:38.820	+12.230	9	1:33.575	+1.451
	10			10	1:38.820	+12.230	10	1:33.575	+1.451
(58) Samantha SCOTT	1	1:42.581	+10.806	1	1:38.820	+12.230	1	1:33.575	+1.451
	2	1:32.885	+1.110	2	1:38.820	+12.230	2	1:33.575	+1.451
	3	1:31.913	+0.138	3	1:38.820	+12.230	3	1:33.575	+1.451
	4	1:32.336	+0.561	4	1:38.820	+12.230	4	1:33.575	+1.451
	5	1:31.775		5	1:38.820	+12.230	5	1:33.575	+1.451
	6	1:32.811	+1.036	6	1:38.820	+12.230	6	1:33.575	+1.451
	7	1:34.576	+2.801	7	1:38.820	+12.230	7	1:33.575	+1.451
	8	1:33.483	+1.708	8	1:38.820	+12.230	8	1:33.575	+1.451
	9	1:34.149	+2.374	9	1:38.820	+12.230	9	1:33.575	+1.451
	10			10	1:38.820	+12.230	10	1:33.575	+1.451
(37) Colin IRWIN	1	1:41.433	+9.309	1	1:38.820	+12.230	1	1:33.575	+1.451
	2	1:32.727	+0.603	2	1:38.820	+12.230	2	1:33.575	+1.451
	3	1:32.427	+0.303	3	1:38.820	+12.230	3	1:33.575	+1.451
	4	1:33.370	+1.246	4	1:38.820	+12.230	4	1:33.575	+1.451
	5	1:33.614	+1.490	5	1:38.820	+12.230	5	1:33.575	+1.451
	6	1:33.575	+1.451	6	1:38.820	+12.230	6	1:33.575	+1.451
(77) Kevin McGRATH	1	1:27.000	+10.956	1	1:33.426	+15.035	1	1:33.426	+15.035
	2	1:18.420	+2.376	2	1:21.765	+3.374	2	1:21.765	+3.374
	3	1:18.333	+2.289	3	1:19.402	+1.011	3	1:19.402	+1.011
	4	1:17.574	+1.530	4	1:20.176	+1.785	4	1:20.176	+1.785
	5	1:17.811	+1.767	5	1:19.327	+0.936	5	1:19.327	+0.936
	6	1:16.628	+0.584	6	1:19.706	+1.315	6	1:19.706	+1.315
	7	1:18.320	+2.276	7	1:18.447	+0.056	7	1:18.447	+0.056
	8	1:16.044		8	1:20.086	+1.695	8	1:20.086	+1.695
	9	1:16.992	+0.948	9	1:19.814	+1.423	9	1:19.814	+1.423
	10	1:16.870	+0.826	10	1:18.391		10	1:18.391	
(100) Simon OVEREND	1	1:33.426	+15.035	1	1:30.570	+11.236	1	1:30.570	+11.236
	2	1:21.765	+3.374	2	1:20.669	+1.335	2	1:20.669	+1.335
	3	1:19.402	+1.011	3	1:19.358	+0.024	3	1:19.358	+0.024
	4	1:20.176	+1.785	4	1:20.320	+0.986	4	1:20.320	+0.986
	5	1:19.327	+0.936	5	1:21.219	+1.885	5	1:21.219	+1.885
	6	1:19.706	+1.315	6	1:20.207	+0.873	6	1:20.207	+0.873
	7	1:18.447	+0.056	7	1:19.499	+0.165	7	1:19.499	+0.165
	8	1:20.086	+1.695	8	1:20.158	+0.824	8	1:20.158	+0.824
	9	1:19.814	+1.423	9	1:19.900	+0.566	9	1:19.900	+0.566
	10	1:21.420	+4.050	10	1:19.334		10	1:19.334	
(105) Paul DEMAINE	1	1:30.570	+11.236	1	1:30.570	+11.236	1		

NEIL ROBINSON MEMORIAL RACES

AJ PLUMBING ULSTER SBK R6 - Bishopscourt

PRE-INJECTION

Bishopscourt National 1.824 miles

R10: Jack's Place Broughshane Race Three

21/07/2019 14:00

Race (10 Laps) started at 14:35:16

7	1:32.124	
8	1:33.933	+1.809
9	1:33.577	+1.453

(89) Daryl ASTON

1	1:38.766	+8.999
2	1:29.767	
3	1:56.440	+26.673

USBK - PRE-INJECTION

2019

Pos	No.	Name	Total	Dif	Gap	#1		#2		#3		#4		#5		#6		
						R1	R2	R1	R2	R1	R2	R1	R2	R1	R2	R1	R2	R3
1	9	Johnny IRWIN	295	0	0	25	25	25	25	25	25	25	25	25	25	25	x	20
2	70	Derek O'DONNELL	262	33	33	20	20	20	20	16	20	20	16	20	20	20	25	25
3	77	Kevin McGRATH	157	138	105	7	13	11	6	11	11	13	10	16	16	11	16	16
4	5	Mervyn GRIFFIN	156	139	1	16	16	10	x	13	16	16	20	x	x	16	20	13
5	88	Jonathan GREGORY	112	183	44	x	x	16	13	8	10	9	3	11	10	10	11	11
6	96	Simon OVEREND	111	184	1	9	9	9	7	7	7	10	5	13	13	6	7	9
7	24	Trevor ELLIOTT	100	195	11	13	x	7	8	10	9	11	11	x	x	13	13	5
8	39	Dermot CLEARY	86	209	14	11	11	8	10	20	13	x	13	x	x	x	x	x
9	40	Jonathan WATT	67	228	19	x	x	3	5	9	5	x	7	6	6	9	10	7
10	83	Graham McALEESE	64	231	3	x	6	4	x	4	3	6	4	10	11	x	6	10
11	98	Liam TRAINOR	62	233	2	6	8	6	9	5	6	x	x	9	9	x	x	4
12	41	Mark AIKEN	60	235	2	x	x	x	x	3	4	8	9	7	7	7	9	6
13	105	Paul DEMAINE	55	240	5	x	x	x	x	x	x	7	8	8	8	8	8	8
14	62	Aidan CLEARY	50	245	5	10	10	5	11	6	8	x	x	x	x	x	x	x
15	41	Johnny AIKEN	29	266	21	x	x	13	16	x	x	x	x	x	x	x	x	x
16	51	Andy KILDEA	26	269	3	8	7	x	x	x	x	5	6	x	x	x	x	x
17	15	Kenneth O'GORMAN	19	276	7	4	5	x	x	x	x	x	x	x	x	5	5	x
18	7	Michael HOUSTON	16	279	3	x	x	2	4	x	x	x	x	5	5	x	x	x
19	17	Karl FRERE	15	280	1	5	1	1	x	x	x	x	x	4	4	x	x	x
20	116	Ryan DINEEN	14	281	1	x	x	x	x	x	x	x	x	2	2	3	4	3
21	100	Darren OVEREND	14	281	0	2	4	x	3	1	1	2	1	x	x	x	x	x
22	68	Andrew McMASTER	10	285	4	x	x	x	x	x	x	x	x	3	3	4	x	x
23	99	Jason McGARVEY	7	288	3	x	x	x	x	2	2	3	x	x	x	x	x	x
24	58	Samantha SCOTT	7	288	0	1	2	x	1	x	x	x	x	x	x	1	2	x
25	89	Daryl ASTON	6	289	1	3	x	x	x	x	x	x	x	x	x	x	3	x
26	84	Gerard TRUEEMAN	6	289	0	x	x	x	x	x	x	4	2	x	x	x	x	x
27	43	Martin ENGALL	5	290	1	x	3	x	2	x	x	x	x	x	x	x	x	x
28	169	Adam WATT	4	291	1	x	x	x	x	x	x	x	x	x	1	x	1	2
29	23	Stephen DAVEY	2	293	2	x	x	x	x	x	x	x	x	x	x	2	x	x
30	25	Nigel CORRIGAN	1	294	1	x	x	x	x	x	x	x	x	x	x	x	x	1
31	5	Bradley SPENCE	1	294	0	x	x	x	x	x	x	x	x	1	x	x	x	x
32	27	Daniel BREWER	1	294	0	x	x	x	x	x	x	1	x	x	x	x	x	x

Event Legend

#1	30/03/2019	AJ PLUMBING ULSTER SBK R1 - Bishopscourt	#4	01/06/2019	AJ PLUMBING ULSTER SBK R4 - Kirkistown
#2	20/04/2019	AJ PLUMBING ULSTER SBK R2 - Bishopscourt	#5	15/06/2019	AJ PLUMBING ULSTER SBK R5 - Bishopscourt
#3	22/04/2019	AJ PLUMBING ULSTER SBK R3 - Kirkistown	#6	20/07/2019	AJ PLUMBING ULSTER SBK R6 - Bishopscourt